

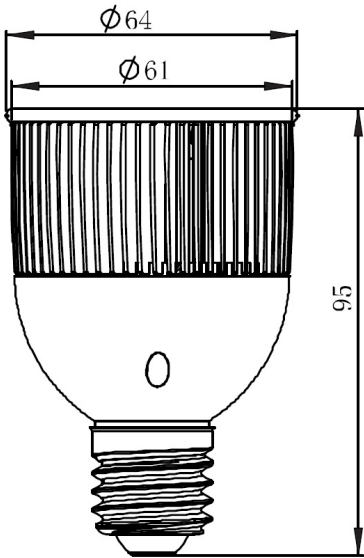


Photo courtesy of Gallery One Twenty One, Belleville ON

Brighter than a 35 watt Halogen Par20

Features and Benefits:

- Nearly 300 lumen output in warm "halogen" white 2700K
- Shatter and vibration proof - no filament
- Simple retrofit to existing fixtures
- Standard E26/27 Edison screw base
- Rugged aluminum construction
- Uses only 7 watts of power
- CUL and ROHS compliant
- 45,000 hour lifespan
- Emits no UV or IR rays
- Contains no mercury
- Integrated modular power supply driver
- Available in 15, 25, or 40 degree beam angles
- Generates bright glare-free light
- No heat emitted in the beam
- Fine ribbed heat sink for optimal thermal performance
- Attractive, clean design



Model	Dimensions (mm)	LED Type	Colour Temperature	Lens Angles
LMP20	95 (H) * 64 (D)	Cree XP-E	2700k warm white, 4000k natural white	15, 25 or 40 degree
Voltage Input	Power Use	Power Factor	Lumen Output	Dimmable
120 VAC at 60 hz.	7 watts	> .9	295 lm for 2700K 350 lm for 4000K	Yes